

PS2 BAS C

PISA Tap Range

Pisa 2 Basin Mixer With Clicker Waste Chrome



Specification

| | |
|--|-----------------------------------|
| Product Type: | Bathroom Tap |
| Main Construction Material: | Brass |
| Mount Type: | Deck Mounted |
| Handle Type: | Lever Handle |
| Connection Inlet: | 1/2" BSP |
| Connection Outlet: | M24 5lpm Flow Limiter |
| Number of Tap Holes: | 1 |
| Valve/Cartridge Type: | 35mm Cartridge |
| Plumbing System Requirements: | Suitable for all plumbing systems |
| Minimum Dynamic Pressure: | 0.3 Bar |
| Maximum Dynamic Pressure: | 5.0 Bar |
| Maximum Hot Water Temperature: °C | 80 |
| Maximum Static Pressure: (bar) | 10 |
| Flow Type: | Single Flow |
| Isolation Included: | No |

Features:

- Long life ceramic cartridge for added durability and ease of use
- Metal fixing nut for added durability
- Includes clicker waste

Product Certifications:

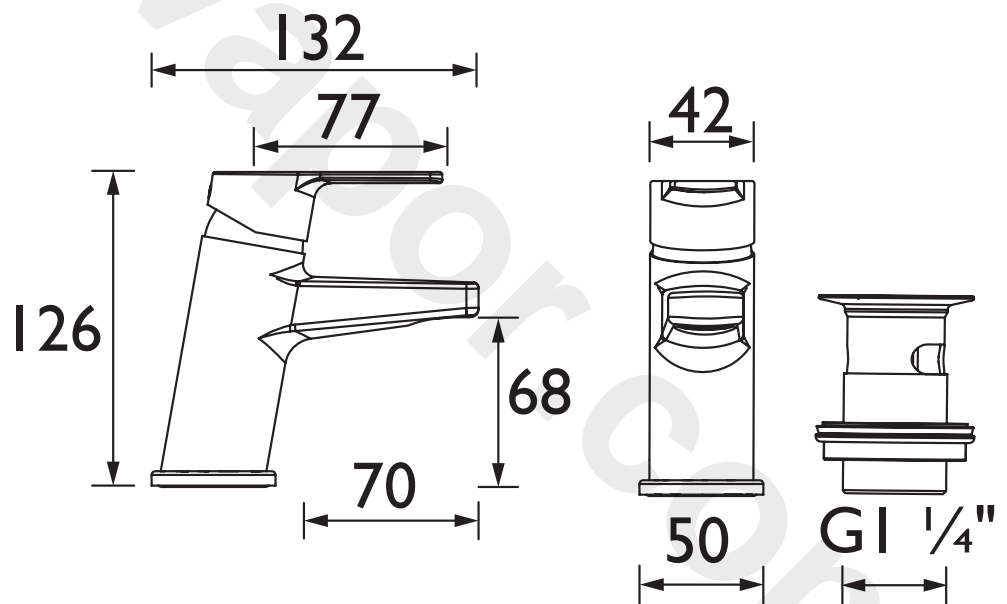


WRAS Cert. Number: 1711003
WRAS Expiry Date: 30/11/2022

For more products, visit our website:
<http://www.bristan.com>



Dimensions (measurements in mm)



Flow Rates (l/min)

| System Pressure (bar) | 0.3 | 0.5 | 1 | 2 | 3 | 5 |
|-----------------------|-----|-----|-----|---|---|---|
| PS2 BAS C | 2.3 | 3.3 | 4.3 | 5 | 5 | 5 |

TECHNICAL DATA SHEET



BRISTAN

D6